



Standard



Longbutton



Auxiliary Terminal

Single-Pole High Performance

Qualified

To MS26574 of MIL-C-5809

Lightweight

22 grams (.048 lbs)

High Interrupting Capacity

High Vibration and Shock Resistance

Sub-Miniature Size

Performance Rated Circuit Breaker

The 4200 is a sub-miniature, lightweight, trip free, single phase circuit breaker, which combines its compact size with a proven technological track record. A modification of the popular 4310 series, its reliability has been long established. Options such as long button, high vibration resistance, and hardware variations will enhance its versatility. The 4200 reacts consistently in extreme fluctuations of temperature, high shock, vibration, or humidity.

Auxiliary Switch And Terminals

The 4200 Series is also available in an Auxiliary Switch version (4200-004) to provide a remote indication of a trip condition. In a trip condition, the contacts in the auxiliary switch are in a closed position.

PERFORMANCE DATA

Interrupting Capacity	1 to 5A: unlimited at 28V DC; 7 1/2 to 25A: 2,000A at 28V DC 1 to 1 1/2A: unlimited at 120V 400 Hz., AC 2 to 5A: 800A at 120V, 400 Hz., AC 7 1/2 to 25A: 500 amps at 120V, 400 Hz., AC
Endurance*	At 120V, 400 Hz., AC or at 28V, DC: inductive load — 2,500 cycles; resistive load — 5,000 cycles; mechanical cycling, no load — 5,000 cycles
Overload Cycling	Minimum of 100 cycles at 200% rated current
Dielectric Strength	At sea level, 25°C 1,500V, AC. At 80,000 ft. 71°C 500V, AC
Insulation Resistance	Not less than 100 megohms at 500V, DC
Voltage Drop	Varies with rating (see "Ordering Information")
Vibration*	Meets specification MIL-STD-202, Method 204, Condition A 10-57 Hz. 06 in. Displacement Double Amplitude, and 57-500 Hz. at 10G's (Random vibration level also available)
Shock*	Exceeds 50G's, 11 Millisec (half-sine pulse) MIL-STD-202, Method 213A Test A
Acceleration	Exceeds 10G's
Weight	22 grams (0.048 lbs.)

* Variations of these circuit breakers are capable of exceeding the standard Mil specification for endurance, vibration, and shock. Consult the business unit for more information.

OVERLOAD CALIBRATION DATA

Specification Table	@ 25°C		@ +71°C		@ -55°C		Test Time Parameters
	MIN	MAX	MIN	MAX	MIN	MAX	
Must Hold	115	—	90	—	135	—	% For 1 Hour
Must Trip	—	150	—	130	—	180	% Within 1 Hour
200% Overload	2.000	20.0	—	—	—	—	Seconds
500% Overload	0.160	1.2	—	—	—	—	Seconds
1000% Overload	0.046	0.8	—	—	—	—	Seconds

Trip curve available.

ORDERING INFORMATION

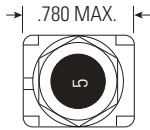
MS APPROVAL STATUS	VOLTAGE AMPERE RATING	DROP MAX *	STANDARD		LONG BUTTON		RANDOM VIBRATION		AUXILIARY TERMINAL		LONG BUTTON	
			MS P/N	LABINAL MP P/N	MS P/N	LABINAL MP P/N	MS P/N	LABINAL MP P/N	MS P/N	LABINAL MP P/N	MS P/N	LABINAL MPP P/N
MS Approved	3/4	1.45	MS26574-3/4	4200-001-075	MS26574-3/4L	4200-003-075	MS26574-D3/4	4200-006-075	MS26574-3/4A	4200-004-075	MS26574-D3/4L	4200-007-075
MS Approved	1	1.10	MS26574-1	4200-001-1	MS26574-1L	4200-003-1	MS26574-D1	4200-006-1	MS26574-1A	4200-004-1	MS26574-D1L	4200-007-1
MS Approved	1 1/2	0.75	MS26574-1 1/2	4200-001-105	MS26574-1 1/2L	4200-003-105	MS26574-D1 1/2	4200-006-105	MS26574-1 1/2A	4200-004-105	MS26574-D1 1/2L	4200-007-105
MS Approved	2	0.75	MS26574-2	4200-001-2	MS26574-2L	4200-003-2	MS26574-D2	4200-006-2	MS26574-2A	4200-004-2	MS26574-D2L	4200-007-2
MS Approved	2 1/2	0.70	MS26574-2 1/2	4200-001-205	MS26574-2 1/2L	4200-003-205	MS26574-D2 1/2	4200-006-205	MS26574-2 1/2A	4200-004-205	MS26574-D2 1/2L	4200-007-205
MS Approved	3	0.55	MS26574-3	4200-001-3	MS26574-3L	4200-003-3	MS26574-D3	4200-006-3	MS26574-3A	4200-004-3	MS26574-D3L	4200-007-3
MS Approved	4	0.45	MS26574-4	4200-001-4	MS26574-4L	4200-003-4	MS26574-D4	4200-006-4	MS26574-4A	4200-004-4	MS26574-D4L	4200-007-4
MS Approved	5	0.35	MS26574-5	4200-001-5	MS26574-5L	4200-003-5	MS26574-D5	4200-006-5	MS26574-5A	4200-004-5	MS26574-D5L	4200-007-5
MS Approved	7 1/2	0.30	MS26574-7 1/2	4200-001-705	MS26574-7 1/2L	4200-003-705	MS26574-D7 1/2	4200-006-705	MS26574-7 1/2A	4200-004-705	MS26574-D7 1/2L	4200-007-705
MS Approved	10	0.28	MS26574-10	4200-001-10	MS26574-10L	4200-003-10	MS26574-D10	4200-006-10	MS26574-10A	4200-004-10	MS26574-D10L	4200-007-10
MS Approved	15	0.25	MS26574-15	4200-001-15	MS26574-15L	4200-003-15	MS26574-D15	4200-006-15	MS26574-15A	4200-004-15	MS26574-D15L	4200-007-15
MS Approved	20	0.25	MS26574-20	4200-001-20	MS26574-20L	4200-003-20	MS26574-D20	4200-006-20	MS26574-20A	4200-004-20	MS26574-D20L	4200-007-20
Non MS Approved	25	0.20		4200-001-25		4200-003-25		4200-006-25		4200-004-25		4200-007-25

* AT RATED NOMINAL CURRENT
For other amperage ratings and configurations, consult the Business Unit.

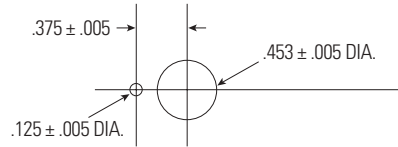
DIMENSIONS

Part No.	A*Max.	B*Min.
4200-001	0.759	0.407
4200-003	1.134	0.782
4200-004	0.759	0.407
4200-006	0.759	0.407
4200-007	1.0134	0.782

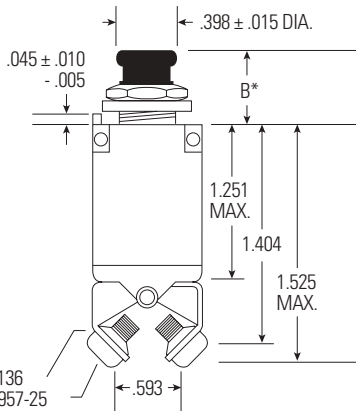
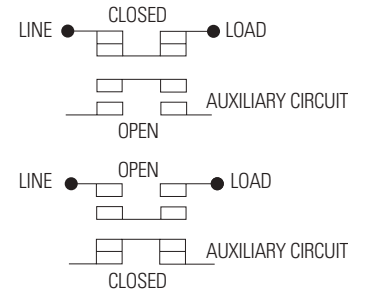
Min. Panel Thickness .025
Max. Panel Thickness .100



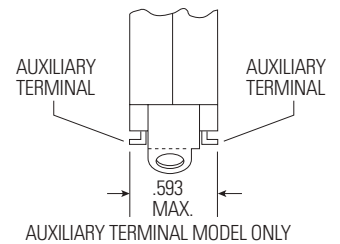
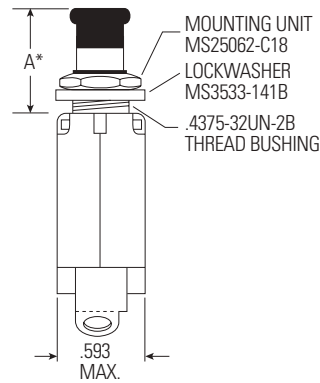
RECOMMENDED MOUNTING



AUXILIARY SWITCH OPERATION



LOCKWASHER MS36336-136
TERMINAL SCREW MS51957-25



TRIP CURVE

