

# SWITCH CATALOG



# ECONOSWITCH - ENVIRONMENTALLY SEALED SWITCHES







Series - 8533, 8534, 8535

Econoswitch Sealed Designerline Toggle Switches

FEATURES		SPECIFICATIONS		CURRENT RATINGS						
<ul style="list-style-type: none"> <li>Environmentally sealed</li> <li>1, 2 and 4 pole circuitry</li> <li>One hole mounting for easy installation</li> <li>Variety of lever styles and colors</li> <li>Color-coded, shaped levers for operator feel and cosmetic appearance</li> <li>2 &amp; 3 position with maintained and momentary action</li> <li>Three types of termination offered as standard</li> <li>Multi-circuits</li> <li>Also available with toggle and lever lock Actuator. For details, see page A11 for toggles and page A14 for lever locks.</li> </ul>	<ul style="list-style-type: none"> <li>Watertight seal per MIL-STD-108E designed to meet IP68</li> <li>UL recognized and CSA certified</li> <li>Bushing: 15/32" - 32 thread</li> <li>Temperature range: -50°F to +150°F (-46°C to + 66°C)</li> <li>Life: 50,000 operations at rated load 100,000 operations mechanical life</li> </ul>	No. of Poles	Catalog Number	Type of Operation	28VDC			115 VAC 60 or 400Hz		
					Lamp Load	Resistive Load	Inductive Load	Lamp Load	Resistive Load	Inductive Load
		1	8533	Maintained	5	20	15	3	15	10
				Momentary	4	15	10	2	11	7
		2	8534	Maintained	7	20	15	4	15	15
				Momentary	5	18	10	2	11	8
		4	8535	Maintained	5	20	12	4	15	15
				Momentary	4	18	10	2	11	8

For the UL/ CSA ratings, see page A70.

## SELECTION TABLE

	CIRCUIT WITH LEVER IN . . .			CATALOG NUMBER						
	Up Position	Center Position	Down Position (Keyway)	Screw Terminals ①	Solder Lug Terminals ①	Spade Terminals ①	Shape Suffix ②	Color Letter	Suffix Number	
										
	<b>ONE POLE</b>									
<b>8533</b> 	ON	OFF	ON	8533K1	8533K91	8533K31				
	ON	NONE	OFF	K9	K99	K39				
	ON	NONE	ON	K4	K94	K34	All	White	21	
	ON	OFF	NONE	K6	K96	K36				
	ON	NONE	ON*	8533K5	8533K95	8533K35	All	Red	22	
	* ON	OFF	ON*	K2	K92	K32				
	NONE	OFF	ON*	K7	K97	K37				
	ON	NONE	OFF*	K10	K910	K310				
	OFF	NONE	ON*	K11	K911	K311	All	Black	27	
	* ON	OFF	ON*	8533K3	8533K93	8533K33				
ON	ON	NONE	K12	K912	K312					
ON	ON	NONE	K13	K913	K313					
	<b>TWO POLE</b>									
<b>8534</b> 	ON	OFF	ON	8534K1	8534K91	8534K31				
	ON	NONE	OFF	K9	K99	K39				
	ON	NONE	ON	K4	K94	K34	All	White	21	
	ON	OFF	NONE	K6	K96	K36				
	ON	NONE	ON*	8534K5	8534K95	8534K35	All	Red	22	
	* ON	OFF	ON*	K2	K92	K32				
	NONE	OFF	ON*	K7	K97	K37				
	ON	NONE	OFF*	K10	K910	K310				
	OFF	NONE	ON*	K11	K911	K311				
	ON	OFF	ON*	8534K3	8534K93	8534K33				
	* ON	ON	NONE	K12	K912	K312	All	Black	27	
	ON	ON	NONE	K13	K913	K313				
	ON	ON	ON	8534K14	8534K914	8534K314				
	ON	ON	ON*	K15	K915	K315				
	* ON	ON	ON*	K16	K916	K316				
		<b>FOUR POLE</b>								
<b>8535</b> 	ON	OFF	ON	8535K1	8535K91	8535K31				
	ON	NONE	OFF	K9	K99	K39				
	ON	NONE	ON	K4	K94	K34	All	White	21	
	ON	OFF	NONE	K6	K96	K36				
	ON	NONE	ON*	8535K5	8535K95	8535K35	All	Red	22	
	* ON	OFF	ON*	K2	K92	K32				
	NONE	OFF	ON*	K7	K97	K37				
	ON	NONE	OFF*	K10	K910	K310				
	OFF	NONE	ON*	K11	K911	K311				
	ON	OFF	ON*	8535K3	8535K93	8535K33	All	Black	27	
	* ON	ON	NONE	K12	K912	K312				
	ON	ON	NONE	K13	K913	K313				
	ON	ON	ON	8535K15	8535K915	8535K315				
	ON	ON	ON*	K16	K916	K316				
	* ON	ON	ON*	K17	K917	K317				

\* Momentary contact.

① A complete catalog number consists of a basic switch number followed by a lever shape suffix letter and a two-digit lever color suffix number. Example: 8533K91E27.

See page A71 for circuit diagrams.

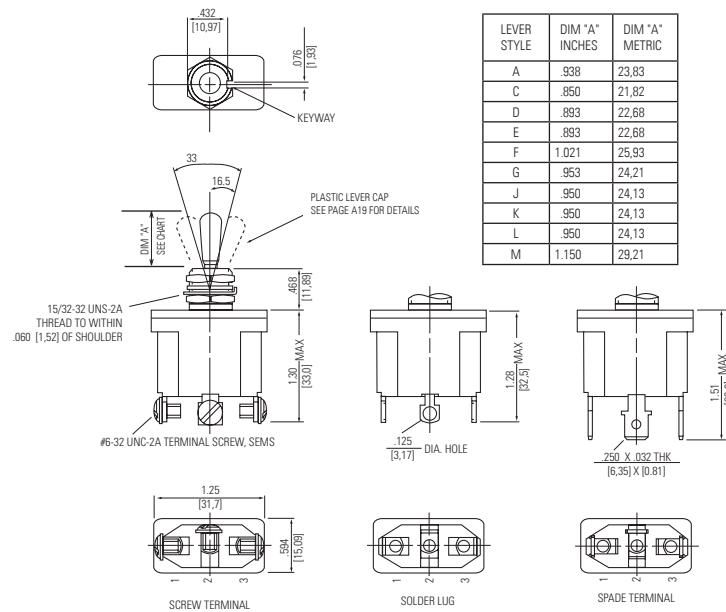
② Select lever shape suffix letter from page A19.

# ECONOSWITCH - ENVIRONMENTALLY SEALED SWITCHES

Series - 8533, 8534, 8535

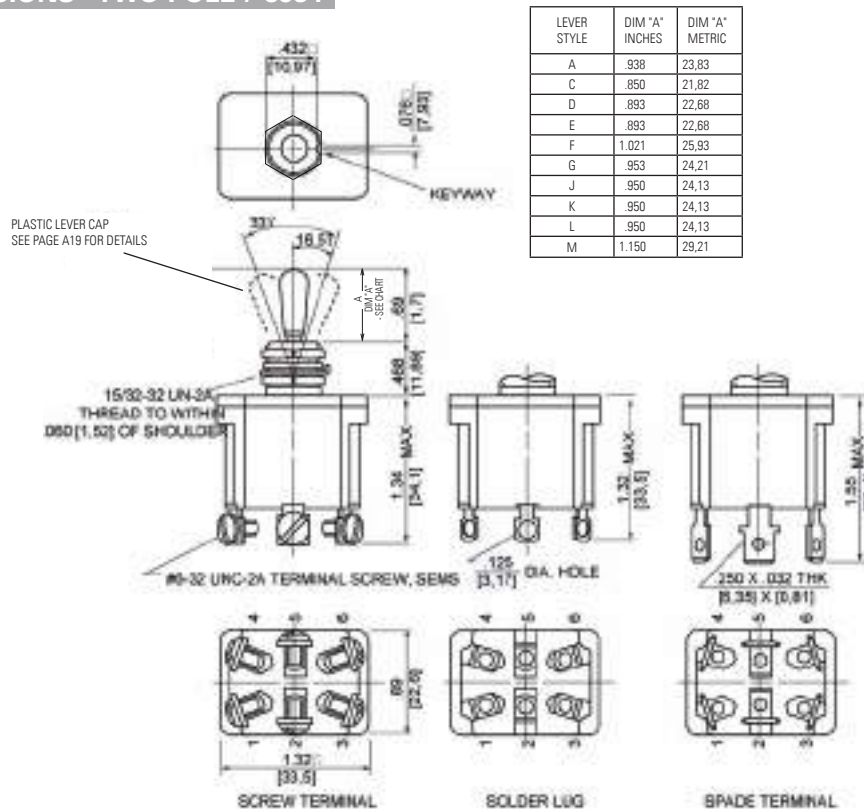
Econoswitch Sealed Designerline Toggle Switches

## MOUNTING DIMENSIONS - ONE POLE / 8533



Terminal Identification

## MOUNTING DIMENSIONS - TWO POLE / 8534



Terminal Identification

**STANDARD**  
0.00 = inches  
[0,0] = mm

Mounting dimensions for reference only.

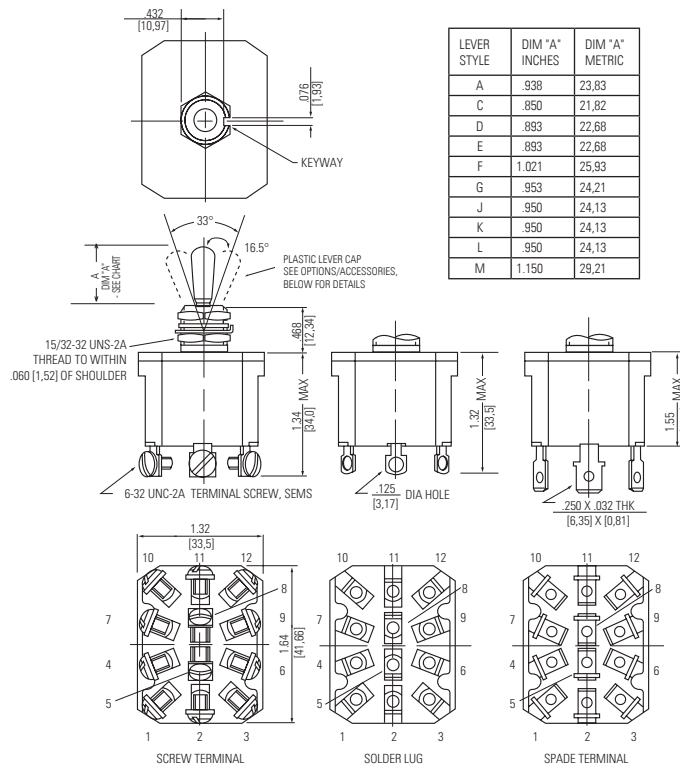
Non-functional terminals not supplied.

# ECONOSWITCH - ENVIRONMENTALLY SEALED SWITCHES

Series - 8533, 8534, 8535

Econoswitch Sealed Designerline Toggle Switches

## MOUNTING DIMENSIONS - FOUR POLE / 8535

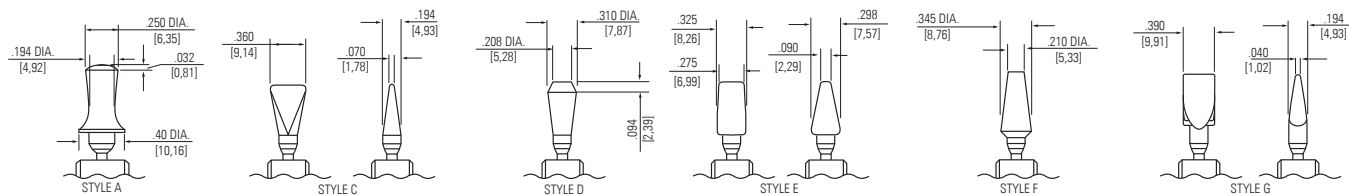


### Terminal Identification

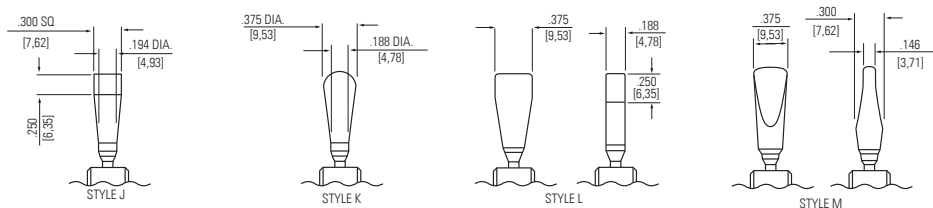
Non-functional terminals not supplied.

## OPTIONS/ACCESSORIES

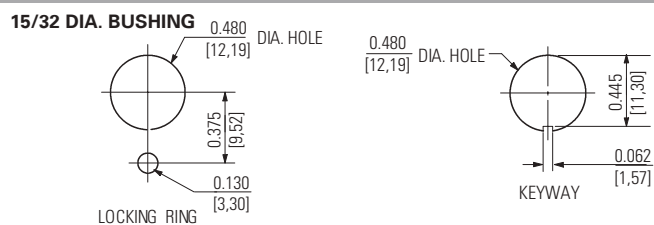
- Standard colors available - White, red and black



- Special mounting hardware
- Mounting hardware furnished assembled
- Special circuits
- Panel seal, Part Number 32-341



## PANEL CUTOUT DIMENSIONS



**STANDARD**  
0.00 = inches  
[0,0] = mm

Mounting dimensions for reference only.