

SWITCH CATALOG



ECONOSWITCH - ENVIRONMENTALLY SEALED SWITCHES




Series - 8536, 8537, 8538

Econoswitch Sealed Leverlock Toggle Switches

| FEATURES | SPECIFICATIONS | CURRENT RATINGS | | | | | | | | |
|--|---|-----------------|----------------|-------------------|-----------|----------------|----------------|--------------------|----------------|----------------|
| | | No. of Poles | Catalog Number | Type of Operation | 28VDC | | | 115VAC 60 or 400Hz | | |
| | | | | | Lamp Load | Resistive Load | Inductive Load | Lamp Load | Resistive Load | Inductive Load |
| <ul style="list-style-type: none"> Environmentally sealed 1, 2 and 4 pole circuitry Locking actuator for safety One hole mounting for easy installation Over 25 standard locking configurations 2 & 3 position with maintained and momentary action Multi-circuits Three types of termination offered as standard Also available with toggle and Designerline Actuator. For details see page A11 for toggles and page A17 for Designerline. | <ul style="list-style-type: none"> Watertight seal per MIL-STD-108E and designed to meet IP68 UL recognized and CSA certified Temperature range: -50°F to +150°F (-46°C to +66°C) Life: 50,000 operations at rated load 100,000 operations mechanical life Bushing: 15/32" - 32 thread | 1 | 8536 | Maintained | 5 | 20 | 15 | 3 | 15 | 10 |
| | | | | Momentary | 4 | 15 | 10 | 2 | 11 | 7 |
| | | 2 | 8537 | Maintained | 7 | 20 | 15 | 4 | 15 | 15 |
| | | | | Momentary | 5 | 18 | 10 | 2 | 11 | 8 |
| | | 4 | 8538 | Maintained | 5 | 20 | 12 | 4 | 15 | 15 |
| | | | | Momentary | 4 | 18 | 10 | 2 | 11 | 8 |

For the UL/CSA ratings, see page A70.

LEVER LOCK SELECTION TABLE

| CIRCUIT WITH LEVER IN . . . | | | | CATALOG NUMBER | | | |
|---|-----------------|------------------------|-----------------|----------------------|-----------------|----------------------------------|------------------|
| Up Position | Center Position | Down Position (Keyway) | Screw Terminals | Solder Lug Terminals | Spade Terminals | Available Locking Configurations | |
| ONE POLE | | | | | | | |
|  | ON | OFF | ON | 8536K1 Δ | 8536K91 Δ | 8536K31 Δ | ALL |
| | ON | NONE | OFF | K9 Δ | K99 Δ | K39 Δ | D, F, G |
| | ON | NONE | ON | K4 Δ | K94 Δ | K34 Δ | D, F, G |
| | ON | OFF | NONE | K6 Δ | K96 Δ | K36 Δ | E, F, K, M |
| | ON | NONE | ON* | 8536K5 Δ | 8536K95 Δ | 8536K35 Δ | F |
| | *ON | OFF | ON* | K2 Δ | K92 Δ | K32 Δ | E, L, N |
| | NONE | OFF | ON* | K7 Δ | K97 Δ | K37 Δ | E |
| | ON | NONE | OFF* | K10 Δ | K910 Δ | K310 Δ | F |
| | OFF | NONE | ON* | K11 Δ | K911 Δ | K311 Δ | F |
| | ON | OFF | ON* | 8536K3 Δ | 8536K93 Δ | 8536K33 Δ | E, F, K, L, M, N |
| | *ON | ON | NONE | K12 Δ | K912 Δ | K312 Δ | E |
| | ON | ON | NONE | K13 Δ | K913 Δ | K313 Δ | E, F, K, M |
| TWO POLE | | | | | | | |
|  | ON | OFF | ON | 8537K1 Δ | 8537K91 Δ | 8537K31 Δ | ALL |
| | ON | NONE | OFF | K9 Δ | K99 Δ | K39 Δ | D, F, G |
| | ON | NONE | ON | K4 Δ | K94 Δ | K34 Δ | D, F, G |
| | ON | OFF | NONE | K6 Δ | K96 Δ | K36 Δ | E, F, K, M |
| | ON | NONE | ON* | 8537K5 Δ | 8537K95 Δ | 8537K35 Δ | F |
| | *ON | OFF | ON* | K2 Δ | K92 Δ | K32 Δ | E, L, N |
| | NONE | OFF | ON* | K7 Δ | K97 Δ | K37 Δ | E |
| | ON | NONE | OFF* | K10 Δ | K910 Δ | K310 Δ | F |
| | OFF | NONE | ON* | K11 Δ | K911 Δ | K311 Δ | F |
| | ON | OFF | ON* | 8537K3 Δ | 8537K93 Δ | 8537K33 Δ | E, F, K, L, M, N |
| | *ON | ON | NONE | K12 Δ | K912 Δ | K312 Δ | E |
| | ON | ON | NONE | K13 Δ | K913 Δ | K313 Δ | E, F, K, M |
| ON | ON | ON | 8537K14 Δ | 8537K914 Δ | 8537K314 Δ | ALL | |
| *ON | ON | ON* | K15 Δ | K915 Δ | K315 Δ | E, F, K, L, M, N | |
| *ON | ON | ON* | K16 Δ | K916 Δ | K316 Δ | E, L, N | |
| *ON | ON | ON* | K19 Δ | K919 Δ | K319 Δ | E, L, N | |
| FOUR POLE | | | | | | | |
|  | ON | OFF | ON | 8538K1 Δ | 8538K91 Δ | 8538K31 Δ | ALL |
| | ON | NONE | OFF | K9 Δ | K99 Δ | K39 Δ | D, F, G |
| | ON | NONE | ON | K4 Δ | K94 Δ | K34 Δ | D, F, G |
| | ON | OFF | NONE | K6 Δ | K96 Δ | K36 Δ | E, F, K, M |
| | ON | NONE | ON* | 8538K5 Δ | 8538K95 Δ | 8538K35 Δ | F |
| | *ON | OFF | ON* | K2 Δ | K92 Δ | K32 Δ | E, L, N |
| | NONE | OFF | ON* | K7 Δ | K97 Δ | K37 Δ | E |
| | ON | NONE | OFF* | K10 Δ | K910 Δ | K310 Δ | F |
| | OFF | NONE | ON* | K11 Δ | K911 Δ | K311 Δ | F |
| | ON | OFF | ON* | 8538K3 Δ | 8538K93 Δ | 8538K33 Δ | E, F, K, L, M, N |
| | *ON | ON | NONE | K12 Δ | K912 Δ | K312 Δ | E |
| | ON | ON | NONE | K13 Δ | K913 Δ | K313 Δ | E, F, K, M |
| ON | ON | ON | 8538K15 Δ | 8538K915 Δ | K315 Δ | ALL | |
| ON | ON | ON* | K16 Δ | K916 Δ | K316 Δ | E, F, K, L, M, N | |
| *ON | ON | ON* | K17 Δ | K917 Δ | K317 Δ | E, L, N | |

* Momentary contact.

Δ Complete part number requires this symbol to be replaced with a locking configuration letter - selected from page A16.

Example: **8536K31Δ** **E** **8536K31E**
 Basic Switch Locking Style Complete Part Number

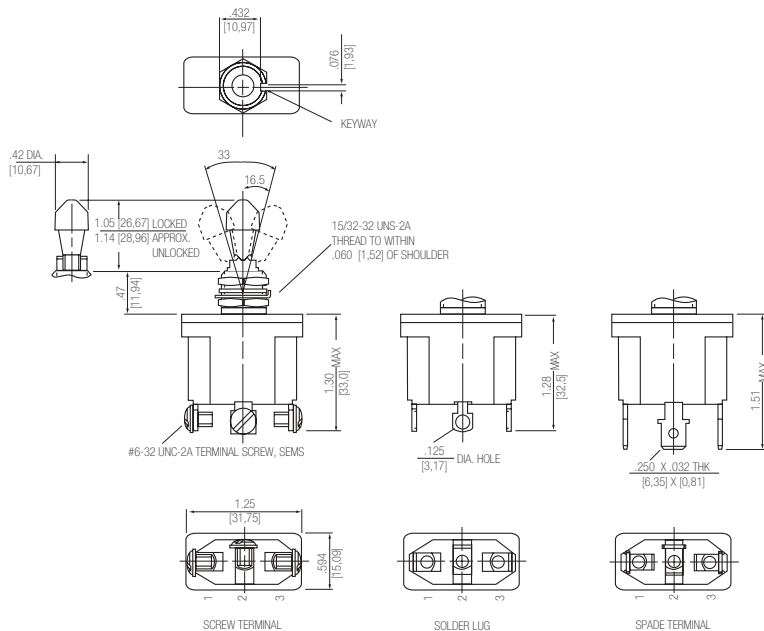
See Page A71 for circuit diagrams.

ECONOSWITCH - ENVIRONMENTALLY SEALED SWITCHES

Series - 8536, 8537, 8538

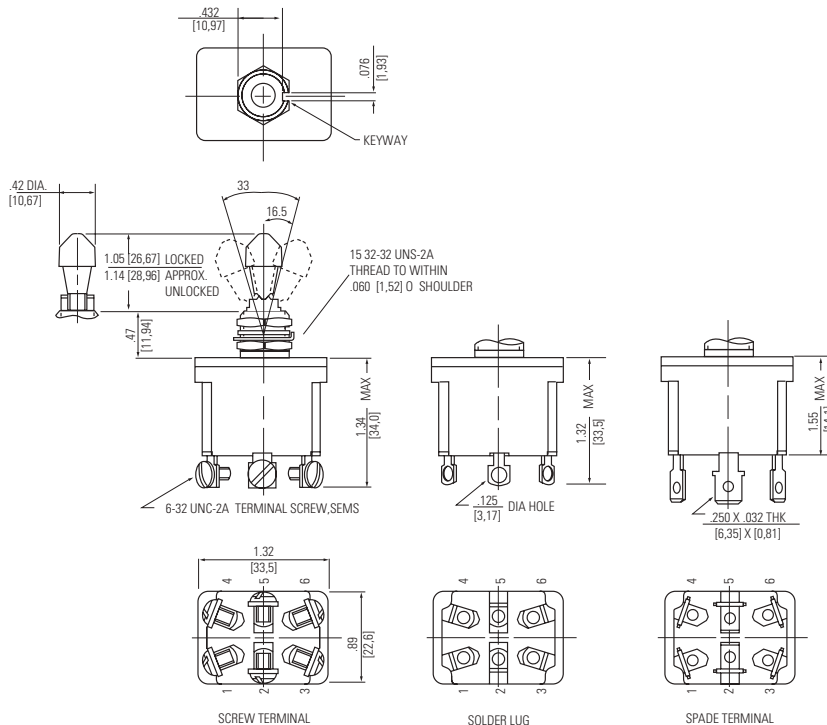
Econoswitch Sealed Leverlock Toggle Switches

MOUNTING DIMENSIONS - ONE POLE / 8536



Terminal Identification

MOUNTING DIMENSIONS - TWO POLE / 8537



Terminal Identification

STANDARD
0.00 = inches
[0,0] = mm

Mounting dimensions for reference only.

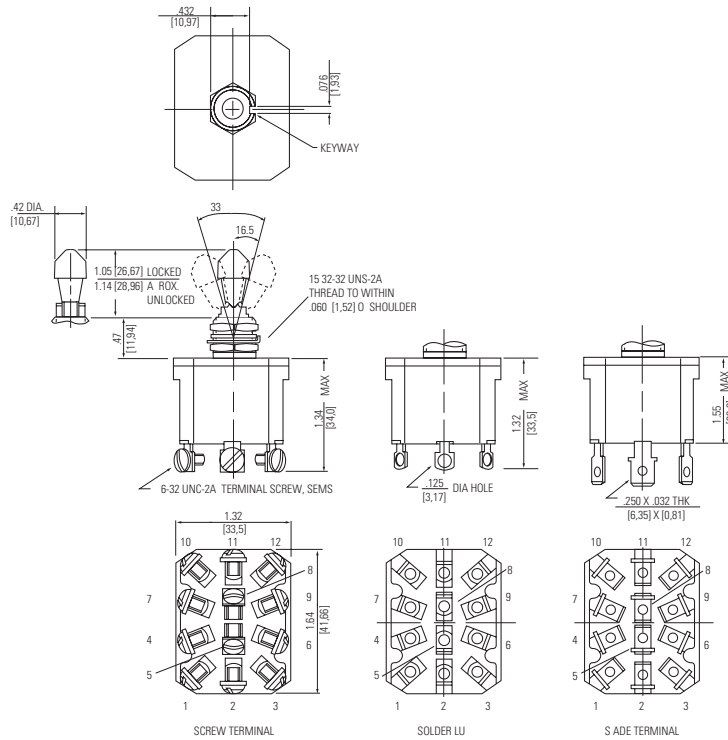
Non-functional terminals not supplied.

ECONOSWITCH - ENVIRONMENTALLY SEALED SWITCHES

Series - 8536, 8537, 8538

Econoswitch Sealed Leverlock Toggle Switches

MOUNTING DIMENSIONS - FOUR POLE / 8538

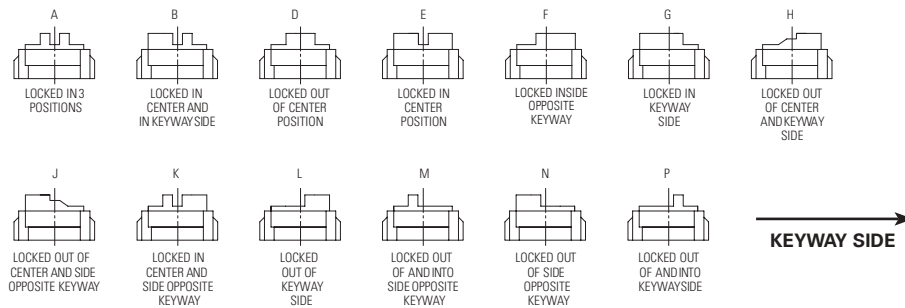


Terminal Identification

Non-functional terminals not supplied.

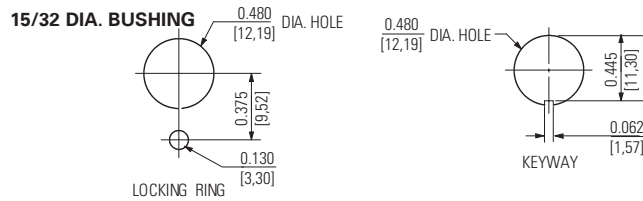
OPTIONS/ACCESSORIES

- Special mounting hardware
- Mounting hardware furnished assembled
- Terminal screws furnished assembled
- Special circuits
- Panel seals, Part Number 32-341



Figures A thru P do not represent details of construction. They schematically illustrate locking function.

PANEL CUTOUT DIMENSIONS



STANDARD

0.00 = inches

[0,0] = mm

Mounting dimensions for reference only.