

SWITCH CATALOG



MILITARY - ENVIRONMENTALLY SEALED SWITCHES

MIL-DTL-3950 IWTS Switches

Series - 8570, 8571, 8572

FEATURES		SPECIFICATIONS		CURRENT RATINGS				
<ul style="list-style-type: none"> Environmentally sealed 1, 2 and 4 pole circuitry 2 & 3 position with maintained and momentary action Integrated Wire Termination System (IWTS) for ease of wiring Terminal numbers molded into silicone base seal 		<ul style="list-style-type: none"> Environmentally sealed per MIL-DTL-3950 MS approved and QPL'd per MIL-DTL-3950 Thermoset molding materials meet flame retardant requirements Bushing: 15/32" - 32 thread Temperature Range: -85°F to +160°F (-65°C to +71°C) Accepts MIL-C-39029/1-101 pin Life: 20,000 operations at rated load 40,000 operations mechanical life 		CURRENT RATINGS FOR -20				
				28VDC			115VAC 60 or 400Hz	
No. of Poles	Catalog Number	Type of Operation	Lamp Load	Resistive Load	Inductive Load	Lamp Load	Resistive Load	Inductive Load
1	8570	Maintained	5	75	75	3	75	75
		Momentary	4	75	75	2	75	7
2	8571	Maintained	75	75	75	4	75	75
		Momentary	5	75	75	2	75	75
4	8572	Maintained	5	75	75	4	75	75
		Momentary	4	75	75	2	75	75

CURRENT RATINGS								
CURRENT RATINGS FOR -16								
No. of Poles	Catalog Number	Type of Operation	28VDC			115VAC 60 or 400Hz		
			Lamp Load	Resistive Load	Inductive Load	Lamp Load	Resistive Load	Inductive Load
1	8570	Maintained	5	20	15	3	15	10
		Momentary	4	15	10	2	15	7
2	8571	Maintained	7	20	15	4	15	15
		Momentary	5	18	10	2	11	8
4	8572	Maintained	5	20	12	4	15	15
		Momentary	4	18	10	2	11	8

STANDARD LEVER SELECTION TABLE — Terminals Accept Wire Contact Within Dimensional Limits of M39029/1-102 for -16 wire size.
— Terminals Accept Wire Contact Within Dimensional Limits of M39029/1-101 for -20 wire size.



8570



8571



8572

CIRCUIT WITH LEVER IN . . .			ONE POLE		TWO POLE		FOUR POLE	
Up Position	Center Position	Down Position (Keyway)	MS Part Number	Catalog Number	MS Part Number	Catalog Number	MS Part Number	Catalog Number
ON	OFF	ON	MS27722-21	8570K1-16	MS27723-21	8571K1-16	MS27724-21	8572K1-16
ON	NONE	OFF	-22	K9-16	-22	K9-16	-22	K9-16
ON	NONE	ON	-23	K4-16	-23	K4-16	-23	K4-16
ON	OFF	NONE	-24	K6-16	-24	K6-16	-24	K6-16
ON	NONE	ON *	MS27722-26	8570K5-16	MS27723-26	8571K5-16	MS27724-26	8572K5-16
* ON	OFF	ON *	-27	K2-16	-27	K2-16	-27	K2-16
NONE	OFF	ON *	-28	K7-16	-28	K7-16	-28	K7-16
ON	NONE	OFF *	-29	K10-16	-29	K10-16	-29	K10-16
OFF	NONE	ON *	-30	K11-16	-30	K11-16	-30	K11-16
ON	OFF	ON *	MS27722-31	8570K3-16	MS27723-31	8571K3-16	MS27724-31	8572K3-16
* ON	ON	NONE	-32	K12-16	-32	K12-16	-32	K12-16
ON	ON	NONE	-33	K13-16	-33	K13-16	-33	K13-16
ON	ON	ON	—	—	MS27723-1	8571K17-16	MS27724-1	8572K15-16
ON	ON	ON *	—	—	-2	K18-16	-2	K16-16
* ON	ON	ON *	—	—	-3	K19-16	-3	K17-16
ON	OFF	ON	MS27784-21	8570K1-20	MS27785-21	8571K1-20	MS27786-21	8572K1-20
ON	NONE	OFF	-22	K9-20	-22	K9-20	-22	K9-20
ON	NONE	ON	-23	K4-20	-23	K4-20	-23	K4-20
ON	OFF	NONE	-24	K6-20	-24	K6-20	-24	K6-20
ON	NONE	ON *	MS27784-26	8570K5-20	MS27785-26	8571K5-20	MS27786-26	8572K5-20
* ON	OFF	ON *	-27	K2-20	-27	K2-20	-27	K2-20
NONE	OFF	ON *	-28	K7-20	-28	K7-20	-28	K7-20
ON	NONE	OFF *	-29	K10-20	-29	K10-20	-29	K10-20
OFF	NONE	ON *	-30	K11-20	-30	K11-20	-30	K11-20
ON	OFF	ON *	MS27784-31	8570K3-20	MS27785-31	8571K3-20	MS27786-31	8572K3-20
* ON	ON	NONE	-32	K12-20	-32	K12-20	-32	K12-20
ON	ON	NONE	-33	K13-20	-33	K13-20	-33	K13-20
ON	ON	ON	—	—	MS27785-1	8571K17-20	MS27786-1	8572K15-20
ON	ON	ON *	—	—	-2	K18-20	-2	K16-20
* ON	ON	ON *	—	—	-3	K19-20	-3	K17-20

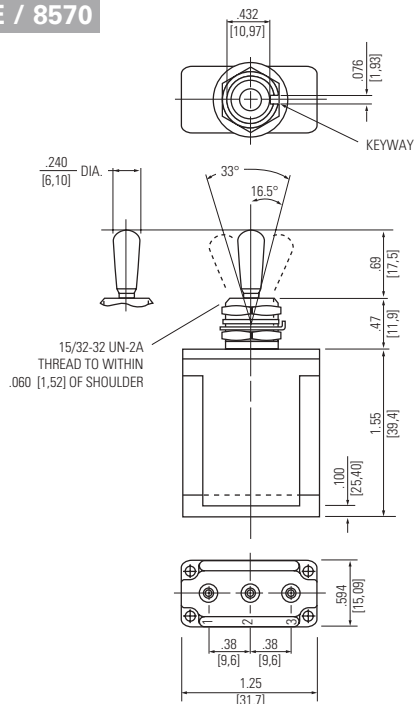
* Momentary contact.
See page A71 for circuit diagrams

MILITARY - ENVIRONMENTALLY SEALED SWITCHES

Series - 8570, 8571, 8572

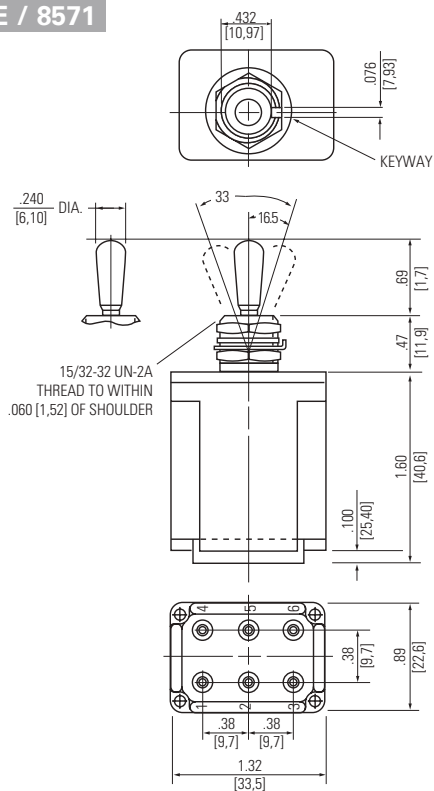
MIL-DTL-3950 IWTS Toggles

MOUNTING DIMENSIONS - ONE POLE / 8570



Terminal Identification

MOUNTING DIMENSIONS - TWO POLE / 8571



Terminal Identification

STANDARD
0.00 = inches
[0,0] = mm

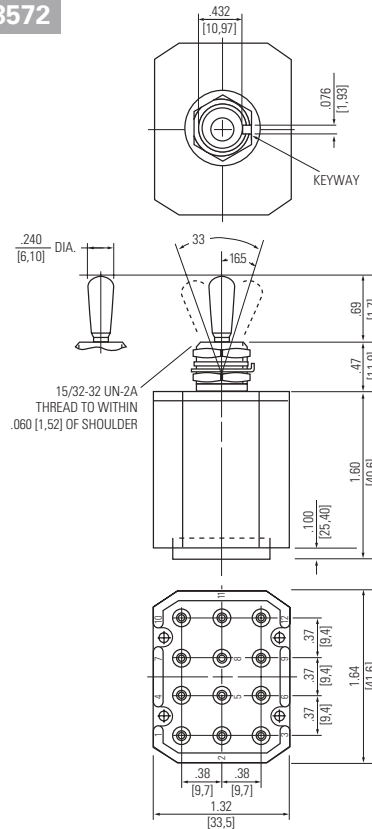
Mounting dimensions for reference only.

Non-functional terminals not supplied.

Series - 8570, 8571, 8572

MILITARY - ENVIRONMENTALLY SEALED SWITCHES MIL-DTL-3950 IWTS Toggles

MOUNTING DIMENSIONS - FOUR POLE/ 8572



Terminal Identification

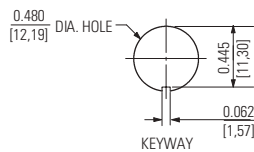
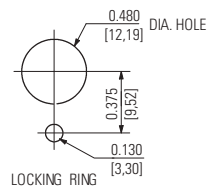
Non-functional terminals not supplied.

OPTIONS/ACCESSORIES

- Special mounting hardware
- Mounting hardware furnished assembled
- Special circuits
- Panel seal, part number 32-341 (See Accessories and Custom Components section)
- Special "3 Cateye" luminous lever attachment
- Lever extensions and attachable tips (See Accessories and Custom Components section)
- Custom wiring harnesses

PANEL CUTOUT DIMENSIONS

15/32 DIA. BUSHING



STANDARD
0.00 = inches
[0,0] = mm

Mounting dimensions for reference only.